



YANGHONG SPHERE

好球体 扬宏造

GOOD SPHERE BY YANGHONG



地址/Add:
浙江省温州市龙湾区空港新区滨海九路金海一道18-14号
No. 18-14 Jinhai 1st Road, Binhai 9th Road, Airport New Area, Longwan District, Wenzhou City, Zhejiang Province

电话/Tel: 137 5846 9169 138 6770 7076
邮箱/Email: 241686128@qq.com
网址/Web: www.cnyhq.com





ABOUT YANGHONG 关于扬宏

YANGHONG
SPHERE

专业

铸就品牌 实力创造未来

推动创新发展
服务和谐社会

PROFESSIONALISM BUILDS BRAND
STRENGTH CREATES THE FUTURE
PROMOTE INNOVATIVE DEVELOPMENT
SERVE A HARMONIOUS SOCIETY

温州扬宏阀门有限公司位于温州市龙湾区空港新区滨海九路金海一道18-14号，本公司生产阀门球体历史悠久，已形成球体锻压到成品一条龙服务体系，毛坯到成品全部由数控精加工完成，是国内一家专业生产高精度球体厂家之一，其高质量的产品、优惠的价格、先进的技术和全方位的服务在国内外赢得了很高的声誉。本公司专业生产不锈钢球体，设备先进，采用国际先进管理及生产工艺，检测手段齐全。口径DN15-DN800适用于Q41、Q47、三通、弯通、V型、片式、广式、意大利式(超薄型)卫生级等球体、材质2Cr13,665,F304,F316L,F51,F53,310S,316Ti,Ta2,C276,M400,625,718,825等。

扬宏球体以领先的技术与管理带给您质量的保证，以良好的信誉回报广大用户对扬宏系列球体的厚爱。秉承“一切为用户服务”的经营理念，将不断应用新技术、新工艺、新材料、积极开发新品种为广大用户提供优质的阀门产品和更完善的售后服务。为建立现代化阀门企业而努力奋斗！竭诚欢迎广大新老客户携手合作，共创辉煌！

Wenzhou Yanghong Valve Co., Ltd. is located at No. 18-14 Jinhai 1st Road, Binhai 9th Road, Konggang New Area, Longwan District, Wenzhou City. Our company has a long history of producing valve spheres and has formed a one-stop service system from sphere forging to finished products. All blanks to finished products are completed by CNC precision machining. We are one of the professional manufacturers of high-precision spheres in China, and our high-quality products, preferential prices, advanced technology, and comprehensive services have won a high reputation both domestically and internationally. Our company specializes in producing stainless steel spheres with advanced equipment, adopting international advanced management and production processes, and complete testing methods. Caliber DN15-DN800 is suitable for Q41, Q47, tee, bent, V-shaped, sheet, wide, Italian (ultra-thin) sanitary grade spheres, materials 2Cr13, 665, F304, F316L, F51, F53, 310S, 316Ti, Ta2, C276, M400, 625, 718, 825, etc.

Yanghong Sphere brings you quality assurance with leading technology and management, and repays the love of users for Yanghong series spheres with a good reputation. Adhering to the business philosophy of "serving customers with everything", we will continuously apply new technologies, processes, materials, and actively develop new varieties to provide high-quality valve products and more comprehensive after-sales service for our customers. Strive to establish a modern valve enterprise! Sincerely welcome new and old customers to work together and create brilliance!

INTELLIGENT MANUFACTURING 智能制造

球体专机 **200+** 台
200+ specialized ball machines

高精度数控磨床 **10+** 台
10+ high-precision CNC grinding machines

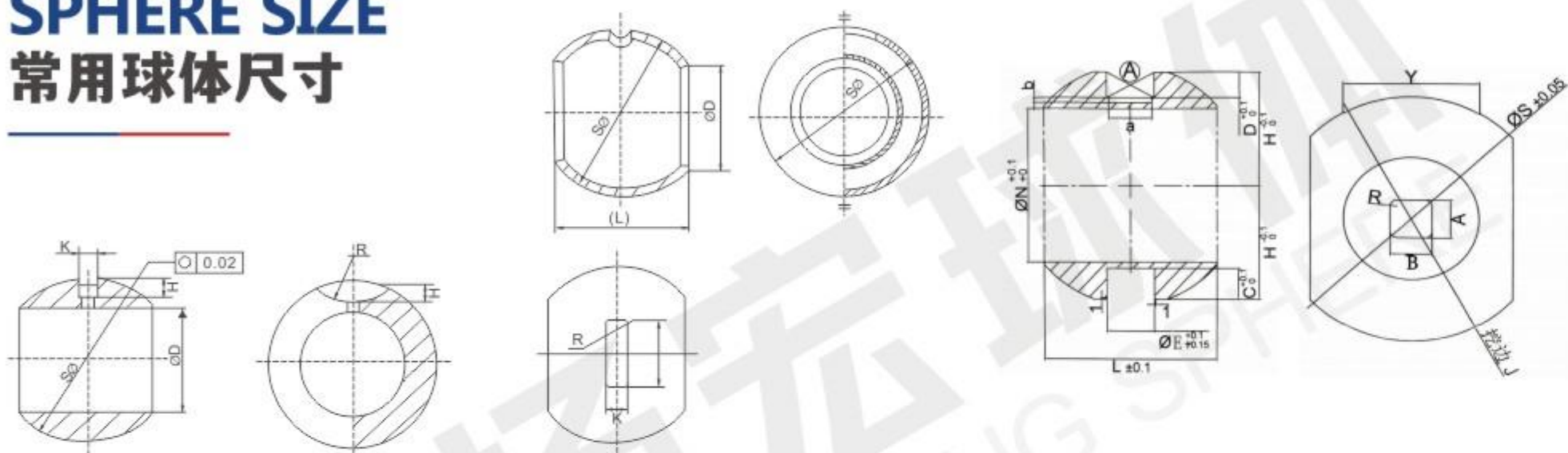
加工中心 **5+** 台
5+ machining centers

检验设备 **8+** 台
8+ inspection equipment



COMMON SPHERE SIZE

常用球体尺寸



铸锻浮动球
Cast and forged floating ball

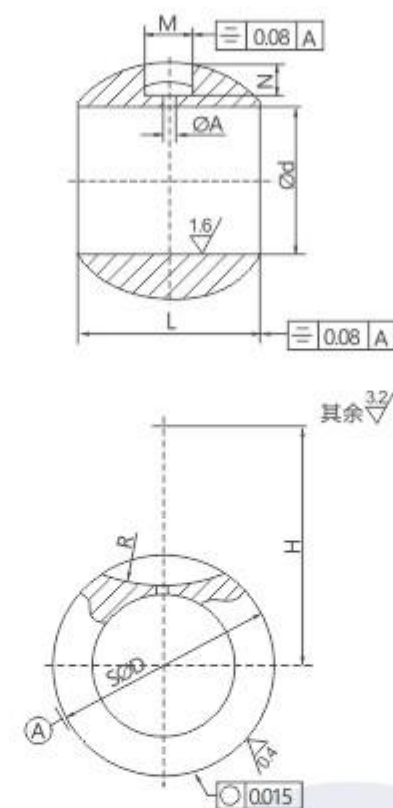
空心活动衬管浮动球
Hollow movable liner floating ball

衬管固定球
Liner fixing ball

空心浮动球
Hollow floating ball

衬管浮动球
Liner Floating Ball

铸锻固定球
Casting and forging fixed ball



技术要求

1. 锐角倒钝。
2. 固溶处理。
3. 球体表面镜面抛光处理，不得有凹坑和沙孔等缺陷。
4. 未注公差的线性尺寸和角度尺寸的公差按 GB/T1804-2000 规定的 m 级。

TECHNICAL REQUIREMENT

1. The acute angle is obtuse.
2. Solution treatment.
3. The surface of the sphere is mirror-polished, There shall be no defects such as pits and sand holes.
4. Linear and angular dimensions without tolerance the tolerance is in accordance with the m level specified in GB/T1804-2000.

主要参数 MAIN PARAMETER

产品型号 PRODUCT MODEL	内径 INSIDE DIAMETER	外圆 OUTER CIRCLE	球长 BALL LENGTH	槽宽 GROOVE WIDTH
DN15	15	30	24.8	6
DN20	20	36	28.5	8
DN25	25	43	33.5	8
DN32	32	53	40.5	8
DN40	40	66	50.5	12
DN50	50	80	60	14
DN65	65	105	80	16
DN80	80	125	93	18
DN100	100	155	115	20
DN125	125	195	146	22/24
DN150	150	235	177	24/28
DN200	200	301	220	26/32
DN250	250	370	267	32

产品型号 PRODUCT MODEL	内径 INSIDE DIAMETER	外圆 OUTER CIRCLE	球长 BALL LENGTH	上轴孔 UPPER SHAFT HOLE	下轴孔 LOWER SHAFT HOLE
DN125	125	195	146	30x30	Φ32
DN150	150	240	183	32x32	Φ35
DN200	200	310	232	35x35	Φ40
DN250	250	385	288	38x38	Φ50
DN300	300	460	342	48x48	Φ50
DN350	350	520	378	50x50	Φ55
DN400	400	600	439	55x55	Φ55
DN450	450	660	487	55x55	Φ55
DN500	500	730	534	70x70	Φ70
DN600	600	890	656	80x80	Φ80
DN700	700	1030	755	90x90	Φ80
DN800	800	1160	835	100x100	Φ90

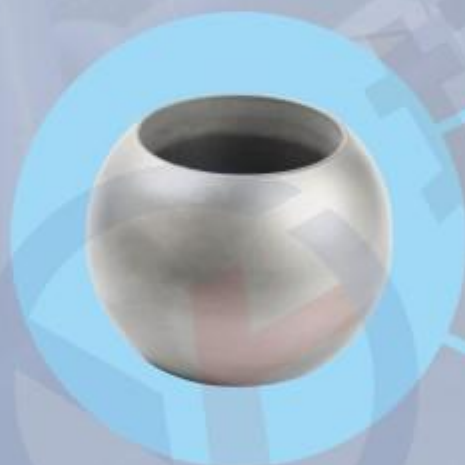
HARD SEALED BALL / VALVE SEAT

硬密封球体/阀座



HARD SEALED BALL/ VALVE SEAT SPRAY COATING PROCESS

硬密封球体/阀座 喷涂工艺



FIXED SPHERE

固定球体



CURVED SPHERE

弯通球体



TEE SPHERE THROUGH THE SPHERE

三通球体/直通球体



NON-STANDARD SPHERE

非标球体



HOLLOW SPHERE

空心球体



ADJUSTMENT SPHERE

调节球体



ENTERPRISE ADVANTAGES

企业优势

用智慧

的力量运筹帷幄

RUN THE PLAN WITH THE
POWER OF WISDOM

